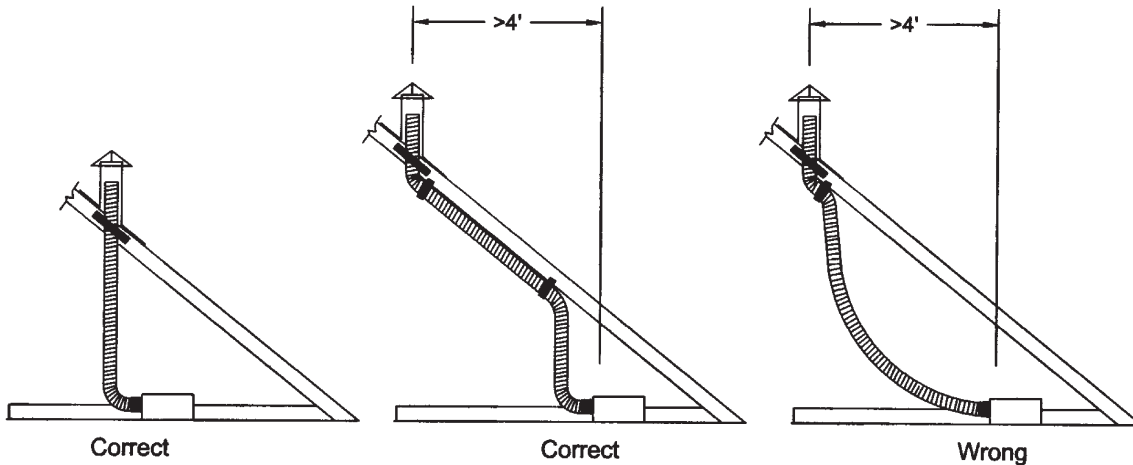


RECOMMENDED INSTALLATION PRACTICES

FOR INSTALLING MNI-25 CONNECTOR AS BATHROOM FAN DUCTING

1. Duct should be installed fully extended.
2. Horizontal offsets greater than 4 ft. should be supported at 4 ft. maximum intervals by means of 1.5 inch minimum width straps, ceiling joists, truss members or other supporting devices as approved by the local code jurisdiction.
3. Duct should be attached to collars (Fan box or terminal device) by;
 - a. Sliding at least 1 inch of duct over the connecting collar.
 - b. Sealing the duct to the collar with 2 wraps of UL-181BFX duct tape.
 - c. Mechanically securing the joint with a clamp or 2 ea. #8 sheetmetal screws with washers.
4. When the duct terminates at a roof jack the duct should extend into the roof jack and be secured to the roof framing immediately below the jack with minimum 1.5 inch wide sheet metal strapping.



CONNECTOR USE APPROVALS VARY BY JURISDICTIONS. WE SUGGEST CHECKING WITH YOUR LOCAL JURISDICTION FOR APPROVAL BEFORE INSTALLATION.